



SAVE THESE INSTRUCTIONS - READ ALL INSTRUCTIONS CAREFULLY

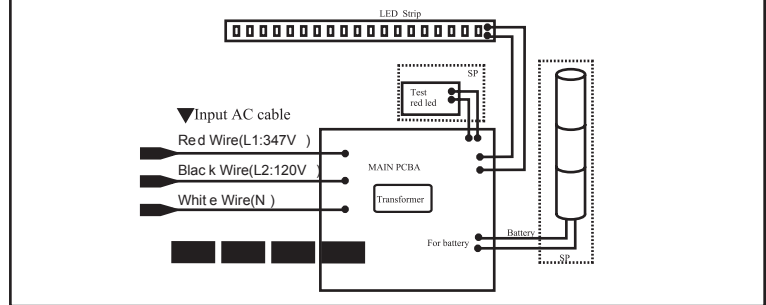
## IMPORTANT SAFEGUARDS



### READ AND FOLLOW ALL SAFETY INSTRUCTIONS

- Review the diagrams thoroughly before beginning.
- All electrical connections must be in accordance with local codes, ordinances and the National Electric Code.
- Disconnect power at fuse or circuit breaker before installing or servicing.
- Do not use outdoors.
- Do not mount in hazardous locations or near gas or electric heaters.
- Do not let power cords touch hot surfaces.
- Equipment should be mounted in locations and at heights where it will not be subject to tampering by unauthorized personnel.
- The use of accessory equipment is not recommended by the manufacturer.
- Do not use this equipment other than intended use.
- All servicing should be performed by qualified personnel only.
- Allow battery to charge for 24hrs before first use. For two battery models, allow 48hrs hours.

## WIRING DIAGRAM



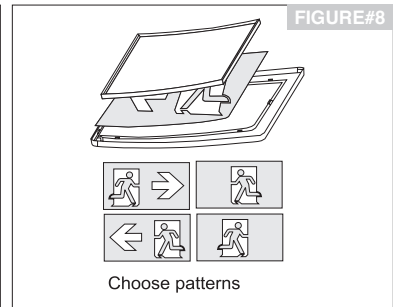
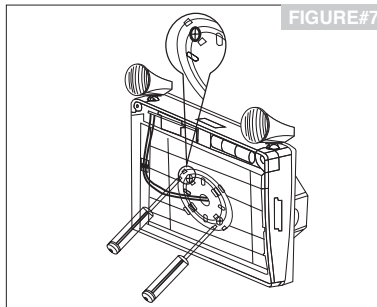
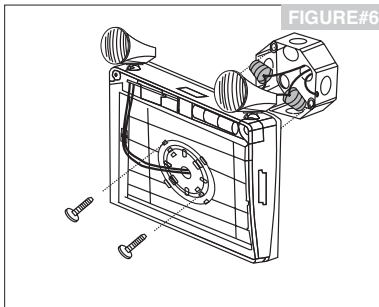
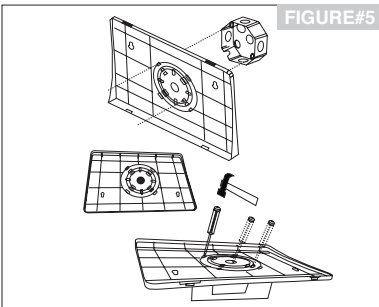
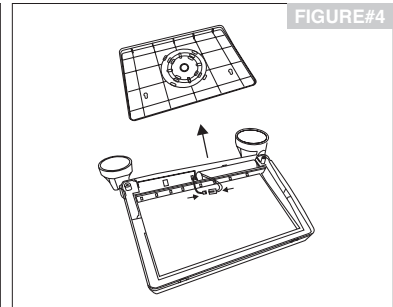
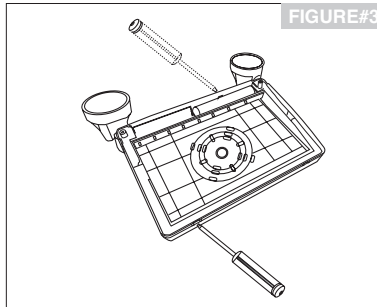
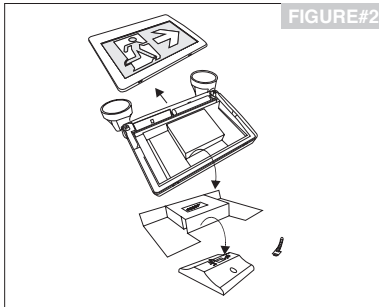
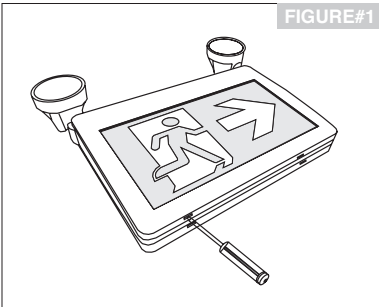
## INSTALLATION INSTRUCTION

1. Turn off AC power.
2. Remove all components from packaging.
3. Refer to proper section (Wall, Ceiling, End-mount) for desired installation.

## WALL MOUNT

1. Use a flat screwdriver to remove the front cover (see figure 1).
2. Remove and discard the canopy kit (see figure 2).
3. Use a flat screwdriver to remove the back plate (see figure 3).
4. Connect battery connector to the PCBA marked (BAT) on the PCBA. (see figure 4).
5. Identify the proper hole pattern in the back plate to mount to a standard junction box. Place a support in either side of the knockouts to be removed and then knock out with a screwdriver (see figure 5).
6. Snap the back plate on to the unit.

7. Route wires out the center hole of the back plate (see figure 6).
8. The system can accept input voltages of 120 or 347 VAC (see figure 6).
9. Feed excess wires into the junction box.
10. Mount the unit securely to the junction box using the junction box screws. Note: Use the keyhole slots as added security (see figure 7).
11. To change the pictogram panel: choose the appropriate pictogram, remove the protective film and insert into front cover (see figure 8).
12. Snap the front plate back into place.

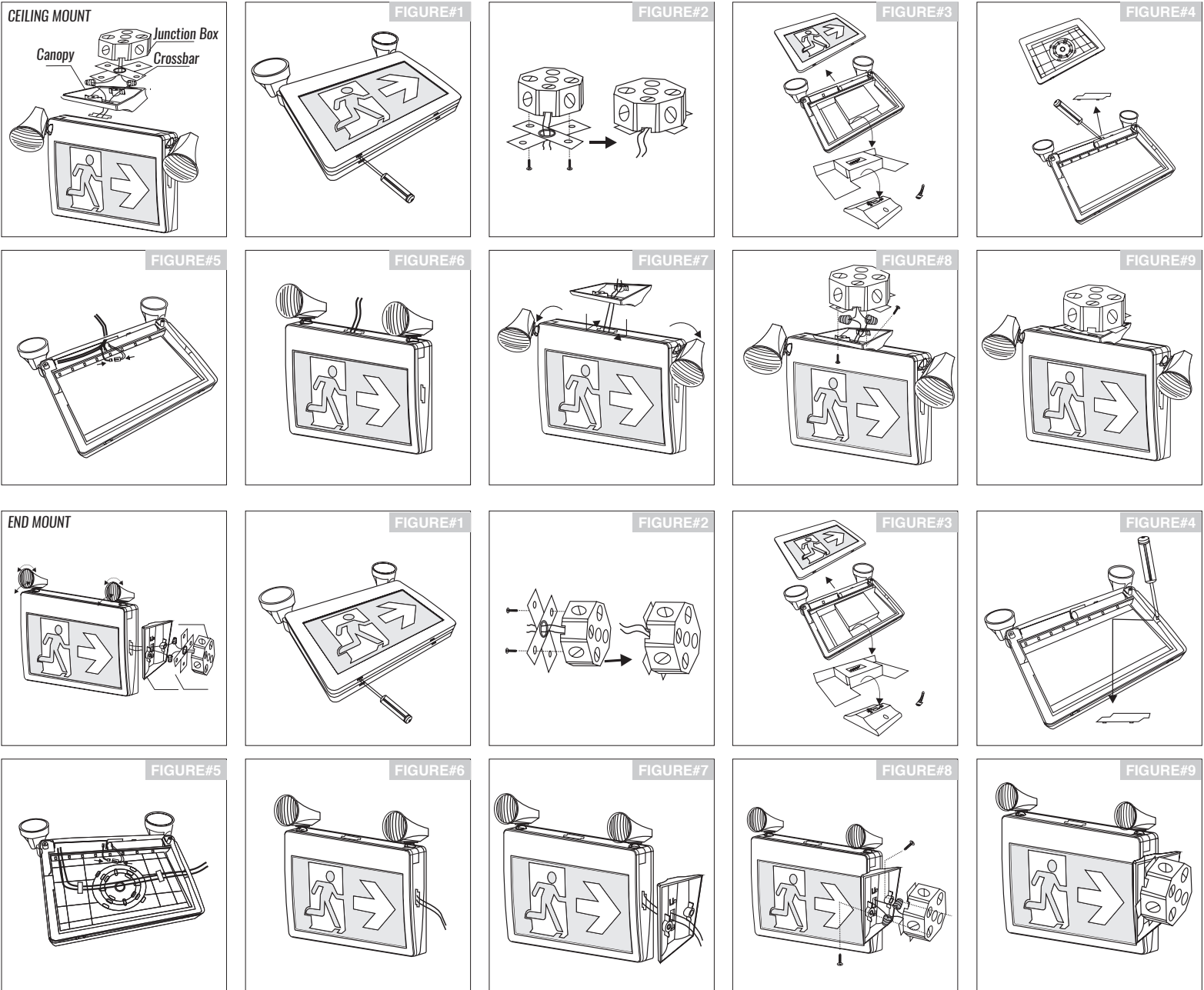




SAVE THESE INSTRUCTIONS - READ ALL INSTRUCTIONS CAREFULLY

## CEILING AND END MOUNT

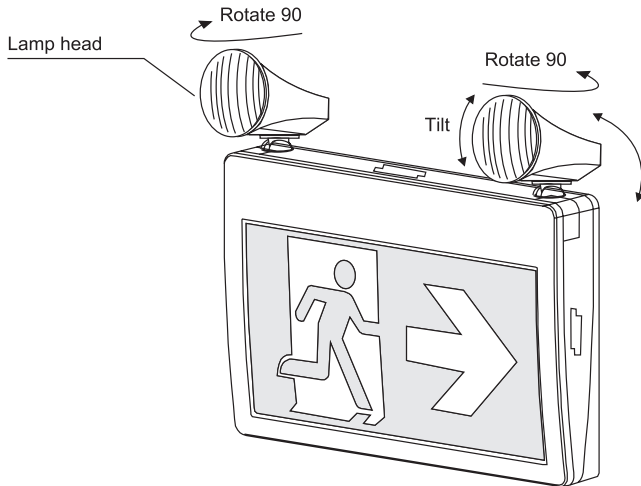
1. Use a flat screwdriver to remove the front cover (see figure 1).
2. If the unit is a double faced, remove the back plate. (See figure 1).
3. Install the crossbar onto the junction box. (See figure 2).
4. Remove the mounting hole cover located on the top of the unit. (see figure 4).
5. Connect battery connector to the PCBA marked (BAT) on the PCBA. (see figure 5).
6. Snap the back plate back on to the unit. Note: if the unit is a double face unit, snap the second pictogram onto the unit.
7. Insert the canopy into the location where the mounting hole cover was removed and snap into the place. (see figure 6)
8. Route wires out through the canopy. (see figure 7)
9. The system can accept input voltages of 120 or 347 VAC. (see figure 7)
10. Feed excess wires into the junction box.
11. Mount the unit securely to the junction box (see figure 8).
12. To change the pictogram panel: choose the appropriate pictogram, remove the protective film and insert into front cover. (see figure 9)
13. Snap the front plate back into place.



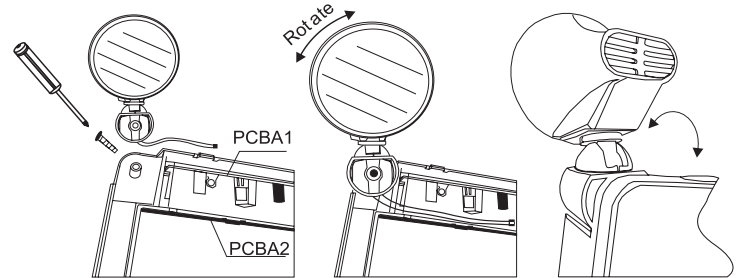


## ADJUST THE LAMP HEAD

Rotation - hold the lamp head and turn it to either side.  
Tilt - hold the lamp head and tilt it up or down.



1. Use a flat screwdriver to remove the front cover.
2. Unscrew the screws holding the lamp heads.
3. Remove and reverse the direction of the lamp heads.
4. Use the same screws and reinstall the lamp heads.
5. If the wire for the lamp heads become disconnected, reconnect the male connector to the female connector..



### Manual Testing (self-powered model only):

Depress the test button is released, the lamps will go off.

### Maintenance:

1. Unit should be tested monthly in accordance with safety codes and local codes.
2. If AC supply to the unit is to be disconnected for 2 months or more, the battery must be disconnected.
3. Clean the front cover on a regular basis to provide maximum light distribution.